



HERION & RAU
Fluidtechnik GmbH

Clamping Unit Series PKE

Pneumatic-hydraulic clamping unit

Clamping forces at 6bar: up to 28kN

Strokes: 3mm
6mm
9mm
12mm

Pneumatic



90050.0110

Zeppelinstraße 6
D-71083 Herrenberg

fon +49 (0) 7032/2017-0
fax +49 (0) 7032/2017-199

kontakt@bar-control.de
www.bar-control.de

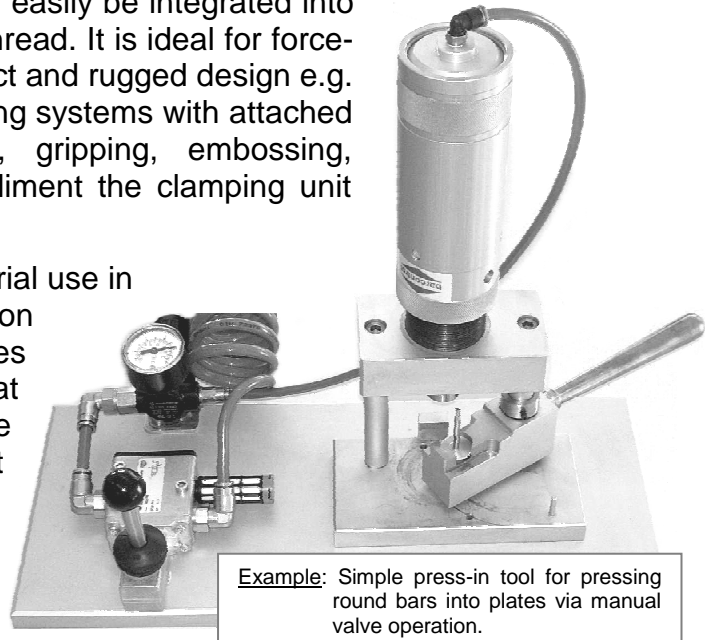
Features

The PKE clamping unit converts pneumatic pressures into linear motions with high forces via internal pneumatic-hydraulic transformation. Forces of up to 28kN and higher (in special variants, depending on specific customer requirements) can be realised. The clamping units stand out due to their ease of use and diverse applications.

On account of its slim design, the unit can easily be integrated into new or existing systems via the external thread. It is ideal for force-orientated applications owing to its compact and rugged design e.g. for clamping, releasing spring-held clamping systems with attached tool changing units, pressing-in work, gripping, embossing, punching, etc. Flange attachments compliment the clamping unit mounting options.

The clamping units are intended for industrial use in normal ambient conditions. Depending on the particular type of unit, clamping forces from 3.5 to max. 28kN at 6bar (30kN at 6,5bar) and strokes from 3 to 12mm can be achieved. Units for special ambient conditions, higher clamping forces and non-standard strokes are available on request.

Adapters and clamping plates for diverse applications are also available as are screw-type flanges with vertical or horizontal attachment with machine screws.



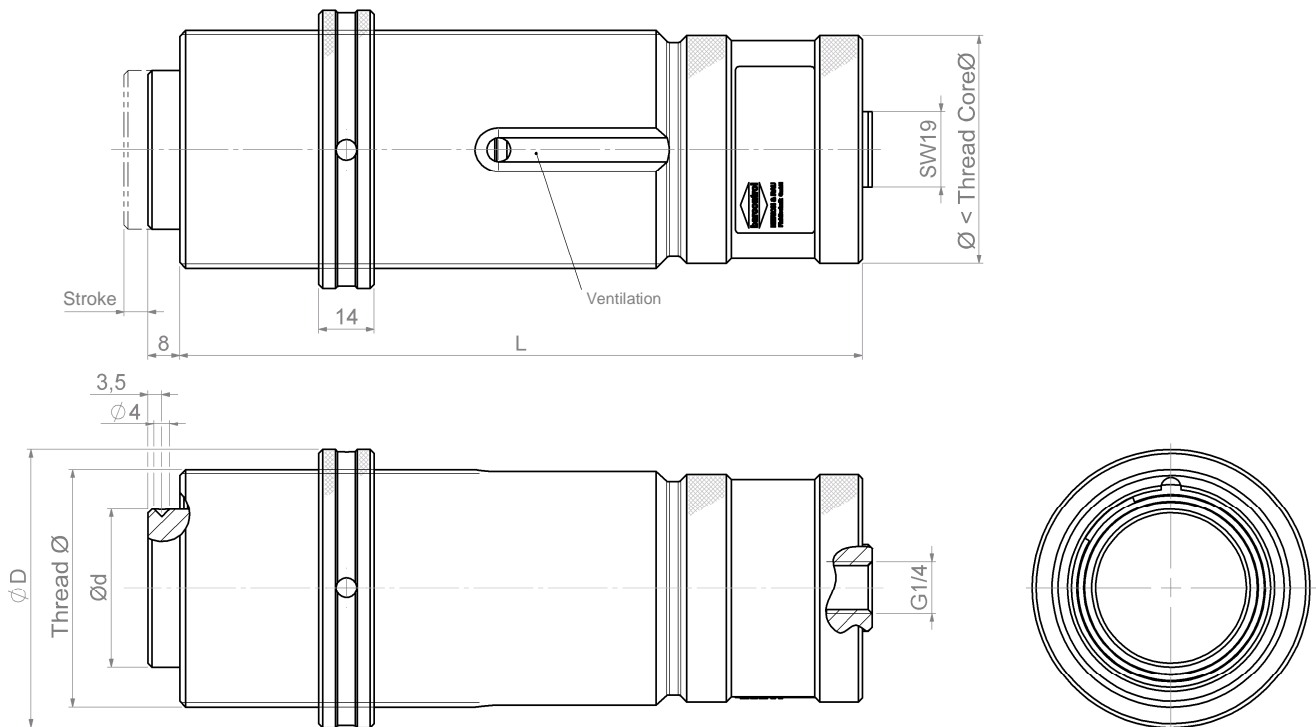
Example: Simple press-in tool for pressing round bars into plates via manual valve operation.

Technical data

Operating fluid:	Compressed air, 50µm filtered, oiled or not oiled
Fluid connection:	G 1/4"
Ambient temperature:	-10°C to +80°C ; others available on request
Max. operating pressure:	6.5, 8 or 10 bar*
Pressure transformation:	1:3 up to 1:40*
Clamping forces:	3.5kN to 28kN - at 6bar respectively; others available on request
Working strokes:	3mm; 6mm; 9mm; 12mm; others available on request
Mounting position:	optional
Mechanical connection:	External thread M36x1.5; M48x1.5; M60x2; flange adaptation possible
Material:	Housing*: Steel chemically nickel-plated, anodised aluminium Knurled ring*: Steel chemically nickel-plated, anodised aluminium
	Seals: dynamic: PTFE, PU, NBR; static: NBR
Weight:	up to 4.850 kg* (see table opposite)

* = depending on type

Standard units



Available types

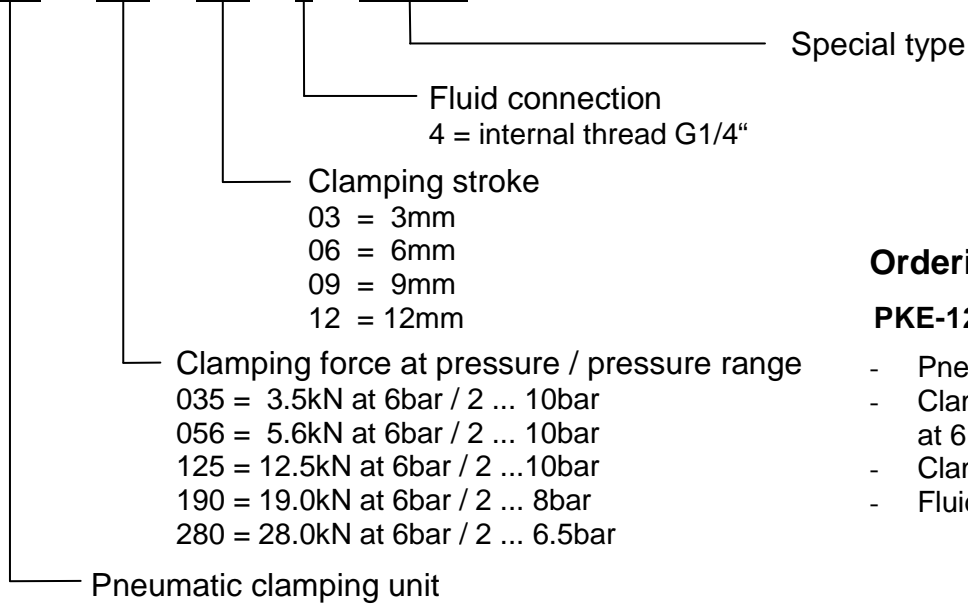
	Clamping force [kN] at 6bar compressed air	Thread Ø	Ød [mm]	ØD [mm]	Stroke [mm]	L [mm]	Total length (+ Stroke) [mm]	Weight [kg]
Pressure range 2 ... 10bar	3,5	M36x1,5	22	50	3	97	108	0,540
					6	127	138	0,617
					9	184	195	0,750
					12	227	238	0,890
	5,8	M48x1,5	32	60	3	108	119	1,160
					6	145	156	1,950
					9	185	196	2,850
					12	231	242	3,720
	12,5	M60x2	40	70	3	135	146	1,650
					6	172	183	2,216
					9	236	247	3,600
					12	311	322	4,800
Pressure range 2 ... 8bar	19				3	169	180	2,240
					6	287	298	3,317
Pressure range 2 ... 6,5bar	28	M48x1,5 l=58mm	22	60	3	202 Housing Ø60mm	230	1,365

Subject to technical changes!

The sizes shown are comparable with standards units and therefore interchangeable. Also available are special types with respect to pressure range, clamping force, temperature, stroke, speed and connection sizes (also adapter integration) etc.

Ordering type key

PKE - xxx - xxx - 4 - GE xxx



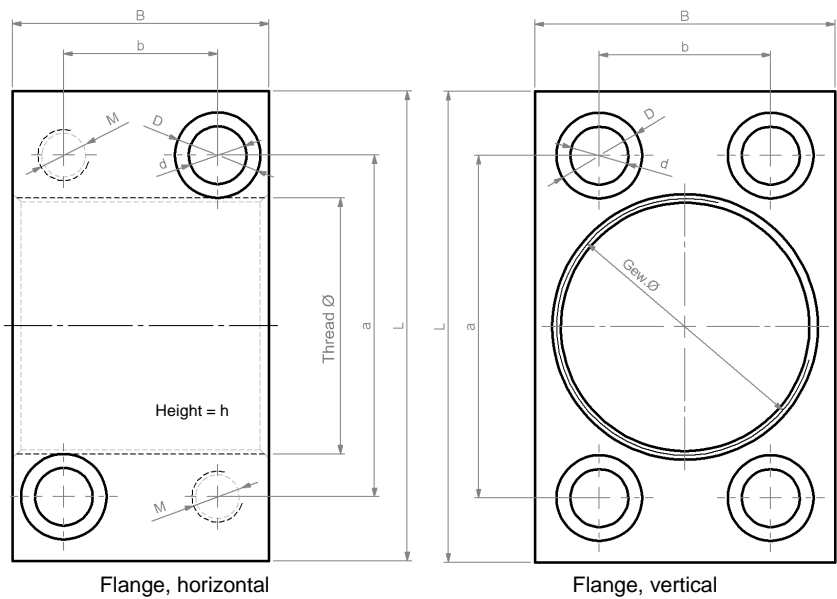
Ordering example:

PKE-125-06-4

- Pneumatic clamping unit
- Clamping force 12.5kN, at 6 bar compressed air
- Clamping stroke 6mm
- Fluid connection G1/4"

Accessories

Contact us for suitable pneumatic or mechanical connection sets.



	Thread Ø	a	b	L	B	h	d	D	M	Order No.
Flange, horizontal	M36x1	56	16	90	40	50	11	17	M10	021006
	M48x1,5	68	26	100	50	60	13,5	20	M12	021007
	M60x2	80	36	110	60	70	13,5	20	M12	021008
Flange, vertical	M36x1	56	16	90	40	50	11	17	M10	021009
	M48x1,5	68	26	100	50	60	13,5	20	M12	021010
	M60x2	80	36	110	60	70	13,5	20	M12	021011

Subject to technical changes!